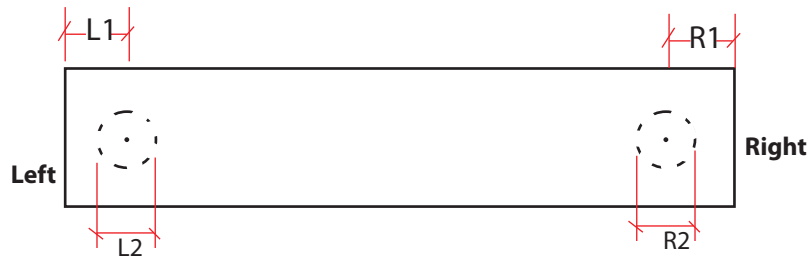
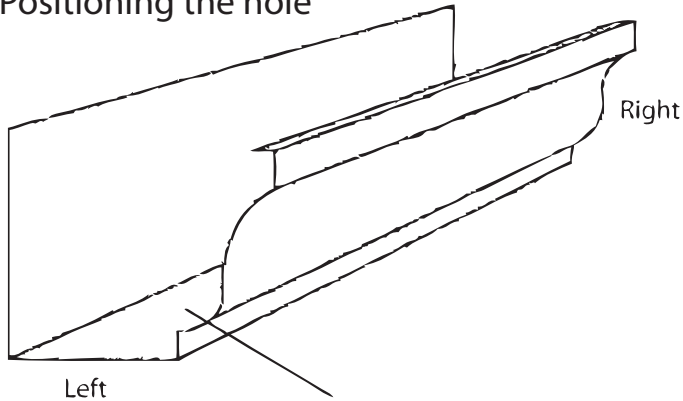


# Defining the Outlet

When it comes to outlet placement it can be tricky. Use this form to insure we got it right by checking the correct image that applies to you.

My gutter position is  #1  #2  #3  #4

## Positioning the hole



R1. Distance from outer edge to center of circle \_\_\_\_\_

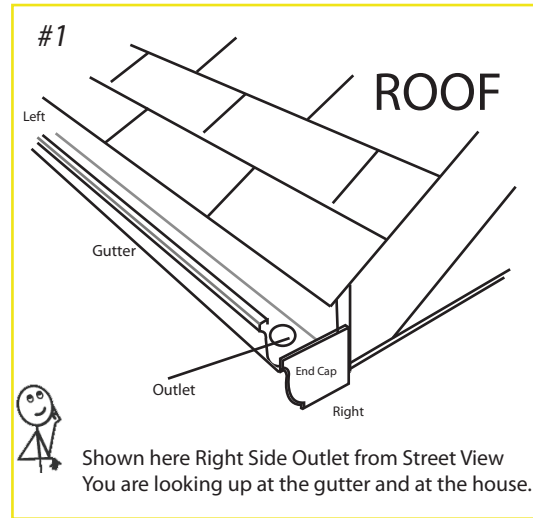
R2: Diameter of the outlet \_\_\_\_\_

L1. Distance from outer edge to center of circle \_\_\_\_\_

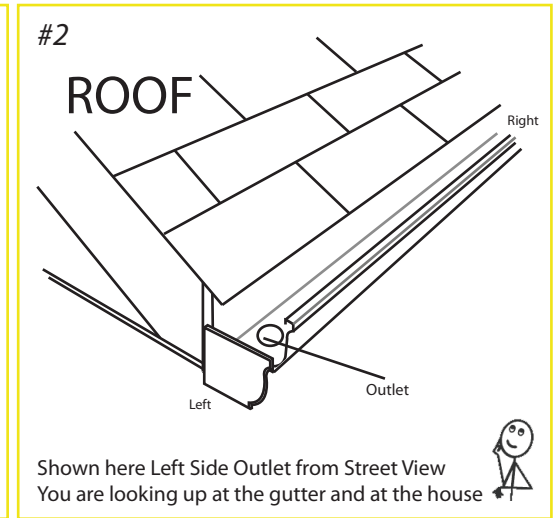
L2: Diameter of the outlet \_\_\_\_\_

Signature of Client Approval / Date

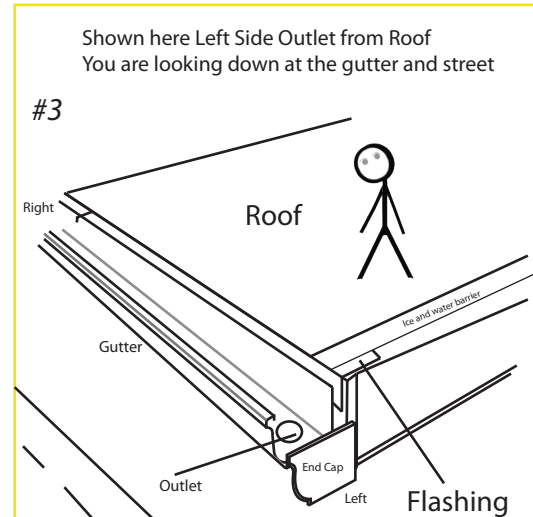
THE INFORMATION CONTAINED IN THIS DRAWING IS SOLE PROPERTY OF SAVANT METAL LLC. ANY REPRODUCTION IN PART OR AS A WHOLE WITHOUT THE WRITTEN PERMISSION OF SAVANT METAL LLC. IS PROHIBITED.



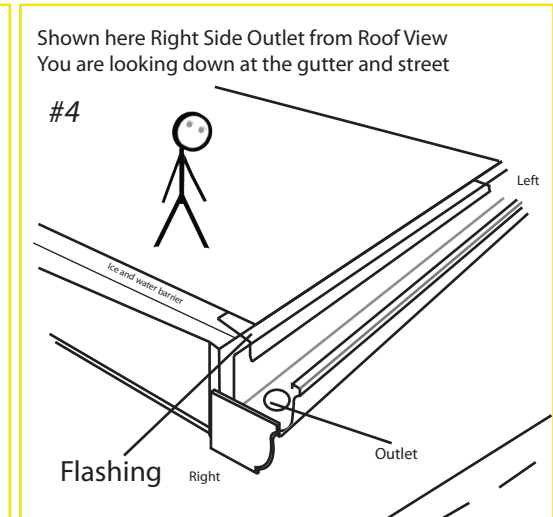
Shown here Right Side Outlet from Street View  
You are looking up at the gutter and at the house.



Shown here Left Side Outlet from Street View  
You are looking up at the gutter and at the house.



Shown here Left Side Outlet from Roof View  
You are looking down at the gutter and street



Shown here Right Side Outlet from Roof View  
You are looking down at the gutter and street

|  |              |                        |
|--|--------------|------------------------|
|  <b>SAVANT METAL LLC.</b><br>753 EAST 134TH STREET<br>BRONX, NY 10454<br>PHONE: 718-732-7800   FAX: 718-676-5669 | CLIENT:      |                        |
|  | PROJECT:     |                        |
| TITLE:   | DRAWN BY:    | DATE:                  |
|  | REVISED BY:  | LAST REV. DATE:        |
|  | APPROVED BY: | APPROVED DATE:         |
| MATERIAL:  | SCALE:       | PAGE NO.:              |
|  |              | DWG. NO. / PRODUCT NO. |
|  |              | <b>DRAWING NO.</b>     |