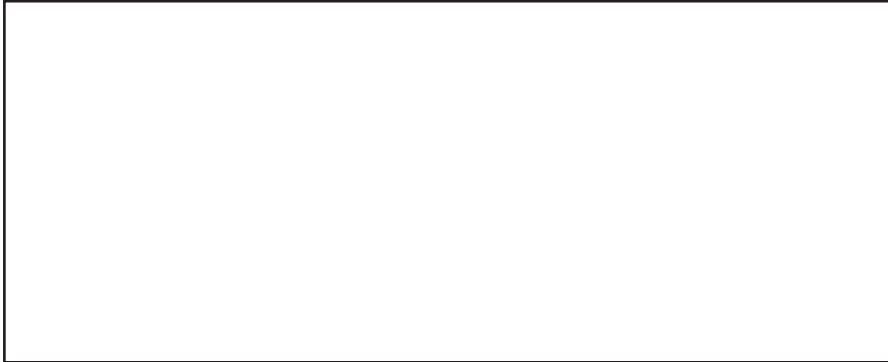


GUTTER SPECIFICATIONS

PROFILE DIMENSIONS

Profile # _____



Materials (Check one)

- White Aluminum ___ 0.032 / ___ 0.040 / ___ 0.050
 Bronze Aluminum ___ 0.032 / ___ 0.040 / ___ 0.050
 Kynar: 500 / Color Name: _____
See Chart on website: www.savantmetals.com/gutters
 Copper ___ 16 oz / ___ 20 oz
 Lead Coated Copper ___ 16 oz / ___ 20 oz
 Galvanized Steel ___ 26 ga / ___ 24 ga

Specify Dimensions Below

A: _____ E: _____
 B: _____ F: _____
 C: _____ G: _____
 D: _____ H: _____

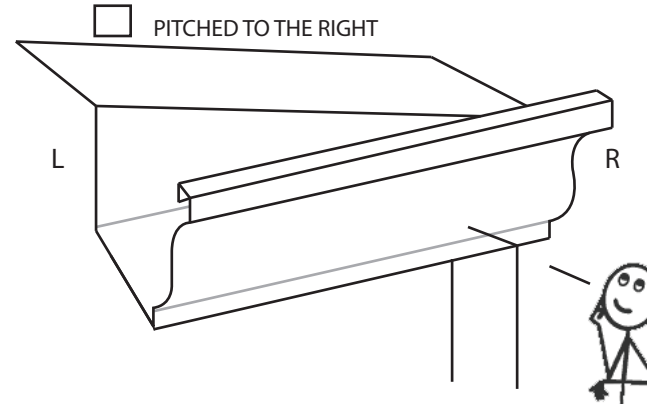
Quantity:

Total Linear Ft ordered _____
 10 ft Sections _____
 8 ft Sections _____
 20 ft Sections _____

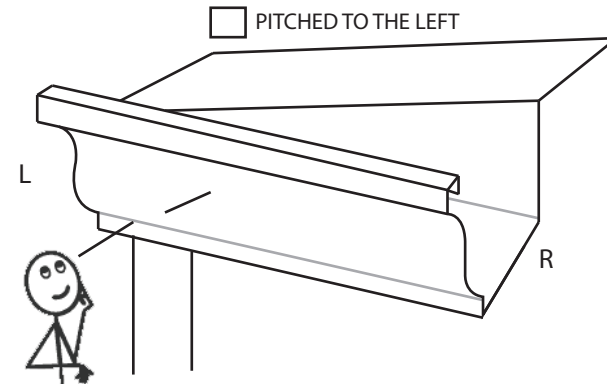
Signature of Client Approval / Date _____

THE INFORMATION CONTAINED IN THIS DRAWING IS SOLE PROPERTY OF SAVANT METAL LLC. ANY REPRODUCTION IN PART OR AS A WHOLE WITHOUT THE WRITTEN PERMISSION OF SAVANT METAL LLC. IS PROHIBITED.

Pitch Options:



Looking from the ground up towards the house



Looking from the ground up towards the house

 SAVANT METAL LLC. 753 EAST 134TH STREET BRONX, NY 10454 PHONE 718 -732-7800 FAX: 718 676-5669	CLIENT: _____	
	PROJECT: _____	
TITLE: _____	DRAWN BY: _____	DATE: _____
	REVISED BY: _____	LAST REV. DATE: _____
	APPROVED BY: _____	APPROVED DATE: _____
MATERIAL: _____	SCALE: _____	PAGE NO. _____
		DWG. NO. / PRODUCT NO. _____
DRAWING NO.		